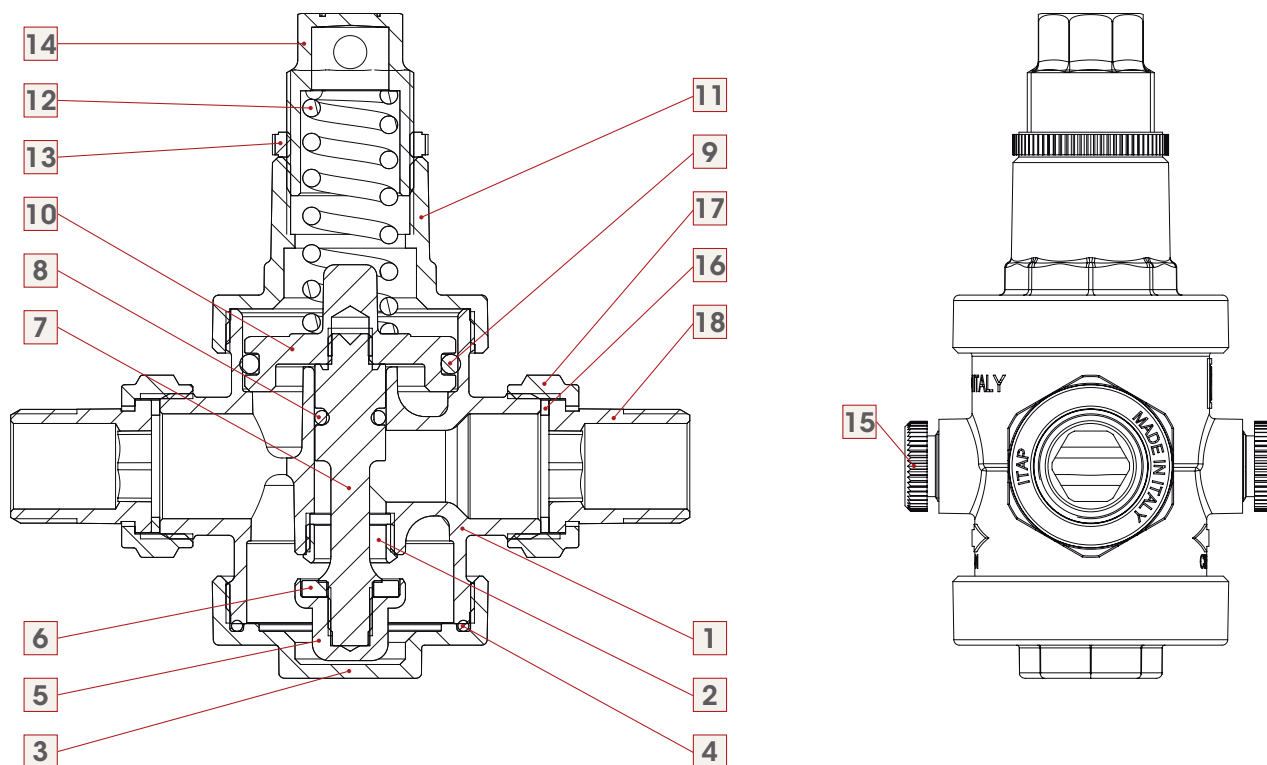
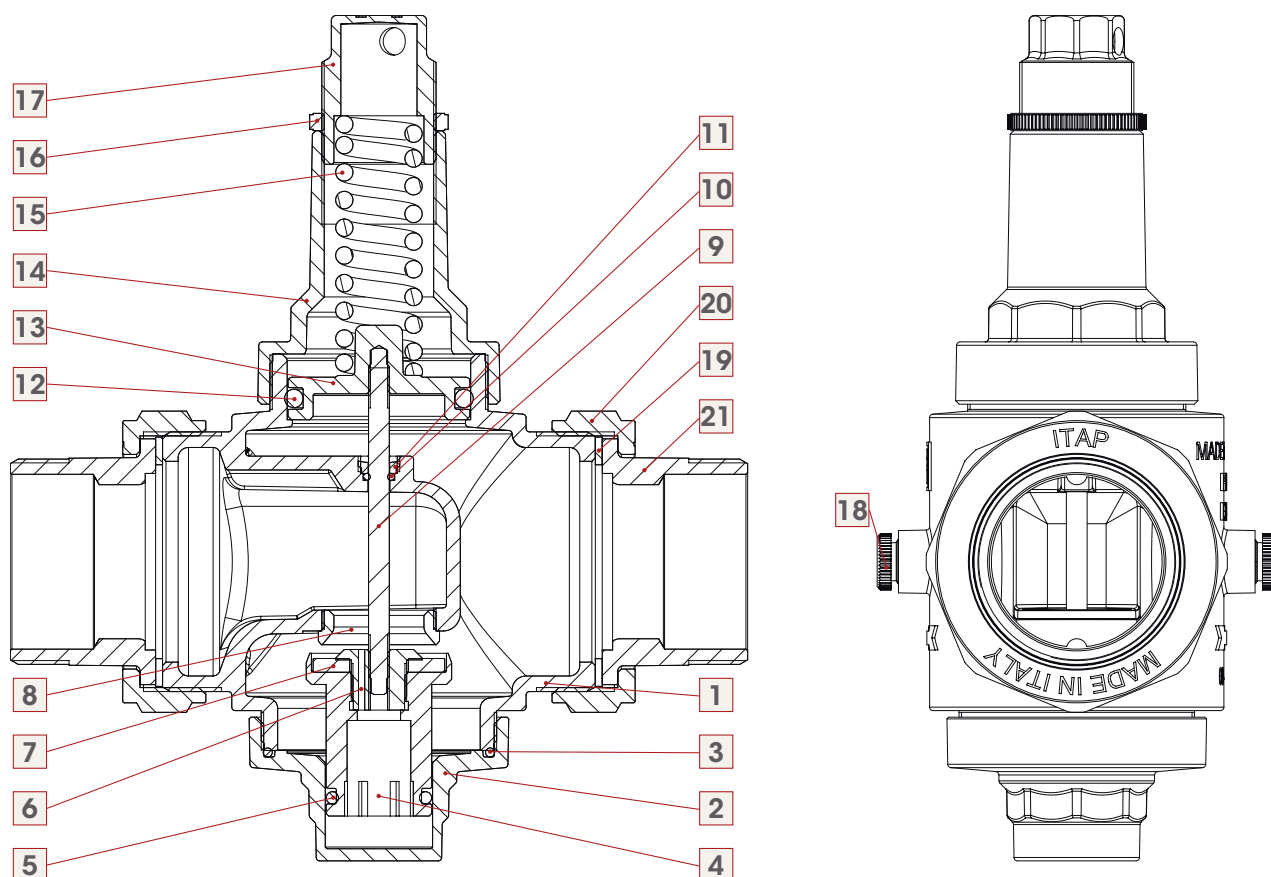


143MM - 1/2", 3/4", 1"



Pos.	DESCRIZIONE / DESCRIPTION	Qt.	MATERIALE / MATERIAL
1	Corpo / Body	1	Ottone nichelato / Nickel-plated brass CW617N
2	Sede / Seat	1	Acciaio inox AISI 303 / Stainless steel AISI 303
3	Tappo inferiore / Bottom plug	1	Ottone nichelato / Nickel-plated brass CW617N
4	O-Ring	1	EPDM
5	Otturatore / Shutter	1	Ottone / Brass CW614N
6	Guarnizione piana / Flat seat washer	1	EPDM
7	Asta / Stem	1	Ottone / Brass CW614N
8	O-Ring	1	EPDM
9	O-Ring	1	EPDM
10	Diaframma / Diaphragm	1	Ottone / Brass CW617N
11	Coperchio superiore / Upper plug	1	Ottone nichelato / Nickel-plated brass CW617N
12	Molla / Spring	1	EN 10270-1 DH
13	Ghiera / Nut	1	Nylon
14	Premimolla / Regulator	1	Ottone nichelato / Nickel-plated brass CW617N
15	Tappo / Cap	2	Nylon
16	Guarnizione piana / Flat seat washer	2	Fibra / Fiber
17	Dado / Nut	2	Ottone nichelato / Nickel-plated brass CW617N
18	Codolo a sede piana / Fitting with flat seat	2	Ottone nichelato / Nickel-plated brass CW617N

143MM - 1"1/4, 1"1/2, 2"



Pos.	DESCRIZIONE / DESCRIPTION	Qt.	MATERIALE / MATERIAL
1	Corpo / Body	1	Ottone nichelato / Nickel-plated brass CB753S
2	Tappo inferiore / Bottom plug	1	Ottone nichelato / Nickel-plated brass CW617N
3	O-Ring	1	NBR
4	Otturatore / Shutter	1	Ottone / Brass CW614N
5	O-Ring	1	NBR
6	Fermo guarnizione / Stop washer	1	Ottone / Brass CW614N
7	Guarnizione piana / Flat seat washer	1	NBR
8	Sede / Seat	1	Acciaio inox AISI 303 / Stainless steel AISI 303
9	Asta / Stem	1	Acciaio inox AISI 303 / Stainless steel AISI 303
10	O-Ring	1	NBR
11	Anello ferma O-Ring / Stop ring	1	Ottone / Brass CW625N
12	O-Ring	1	NBR
13	Diaframma / Diaphragm	1	Ottone / Brass CW617N
14	Coperchio superiore / Upper plug	1	Ottone nichelato / Nickel-plated brass CW617N
15	Molla / Spring	1	EN 10270-1 SM/SH
16	Ghiera / Nut	1	Nylon
17	Premimolla / Regulator	1	Ottone nichelato / Nickel-plated brass CW617N
18	Tappo / Cap	2	Nylon
19	Guarnizione piana / Flat seat washer	2	FASIT NBR
20	Dado / Nut	2	Ottone nichelato / Nickel-plated brass CW617N
21	Codolo a sede piana / Fitting with flat seat	2	Ottone nichelato / Nickel-plated brass CW617N